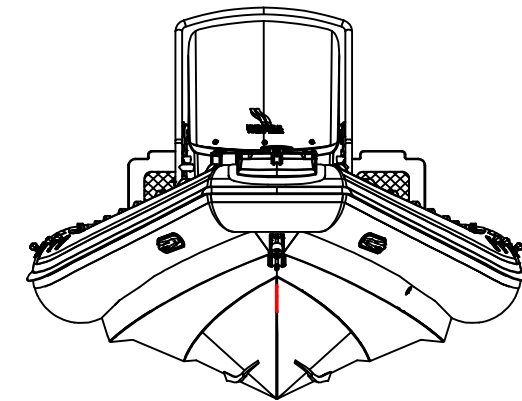
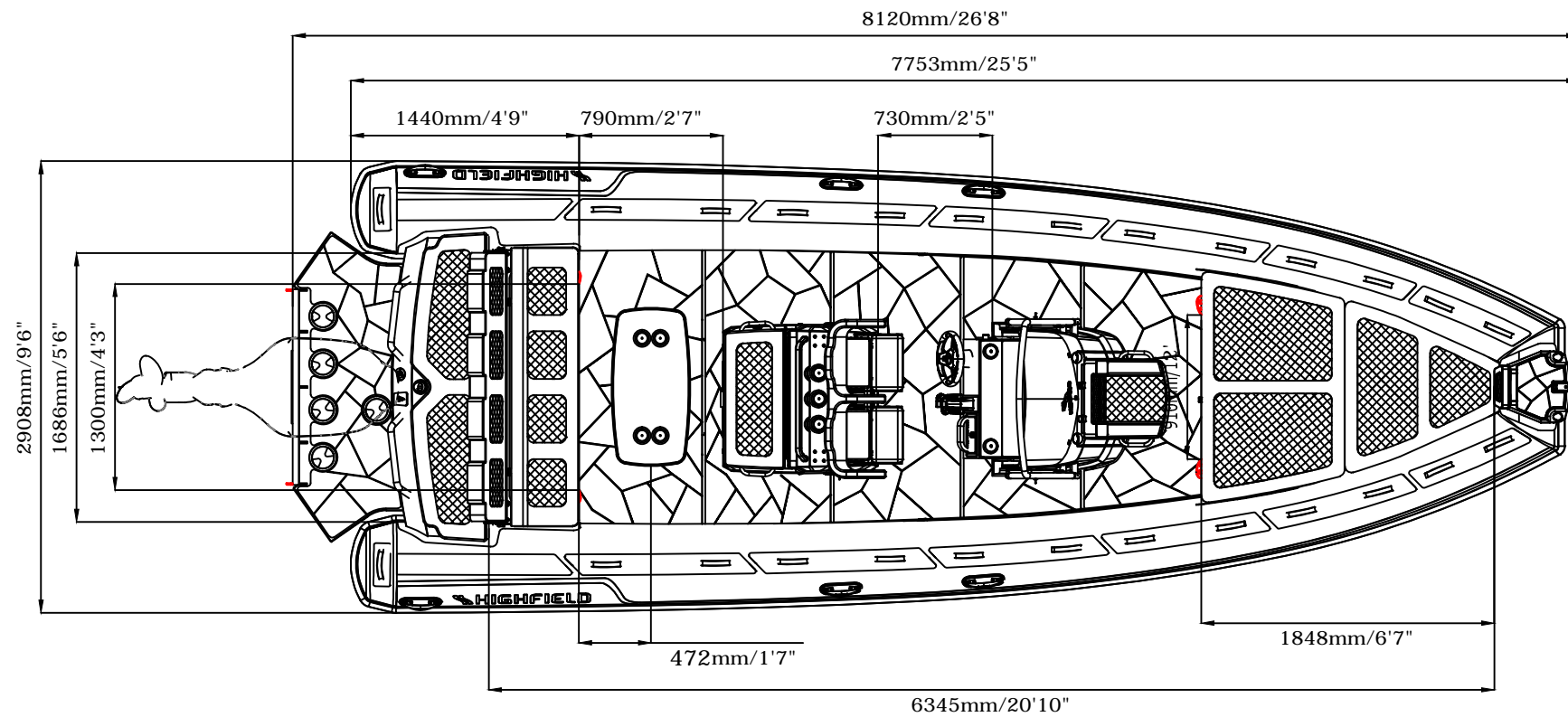
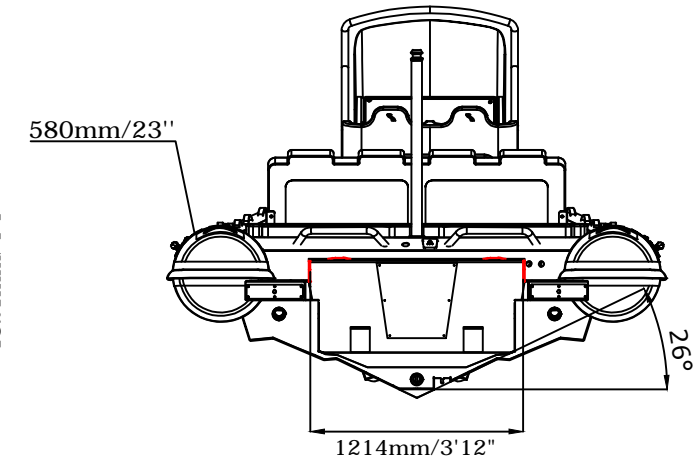
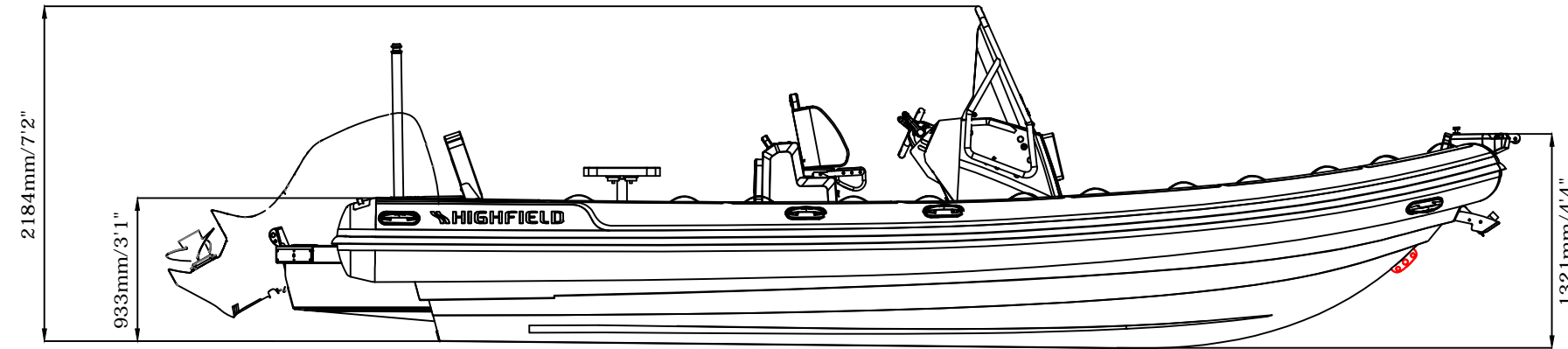


SPORT 800

SPECIFICATIONS



SPECIFICATIONS AND MAXIMUM CAPACITIES (Subject to change without notice. Tolerances: dimensions ±2.5%, weights ±5%)

MODEL	ISO 6185 PART	ISO 6185			#			Shaft	Outboard Engine				Shower kit		Rollbar		Platform		Fuel tank Capacity		Wet Weight (Approximate) 300HP (260KW) + Fuel		AIR CHAMBERS				
			KG	LB		KG	LB		Max power	Max weight	KG	LB	KG	LB	KG	LB	L	GAL	KG	LB	PSI	BAR					
									KW	HP	KG	LB															
SP800	3	C	1890	4167	16	1200	2646	XL	260	350	370	816	1120	2469	14.4	31.7	/	/	/	/	250	66	1671	3683	6	3.63	0.25

Boat weight includes: console, seat, table