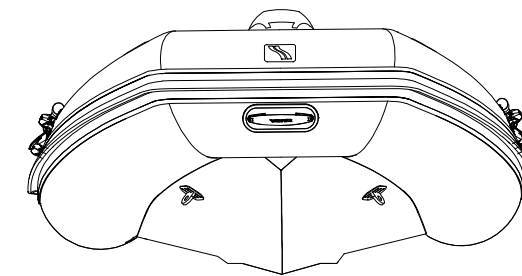
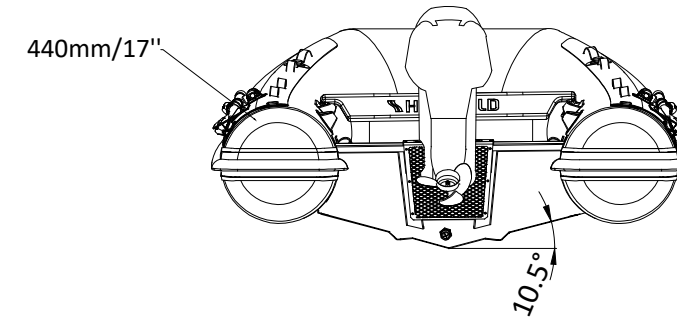
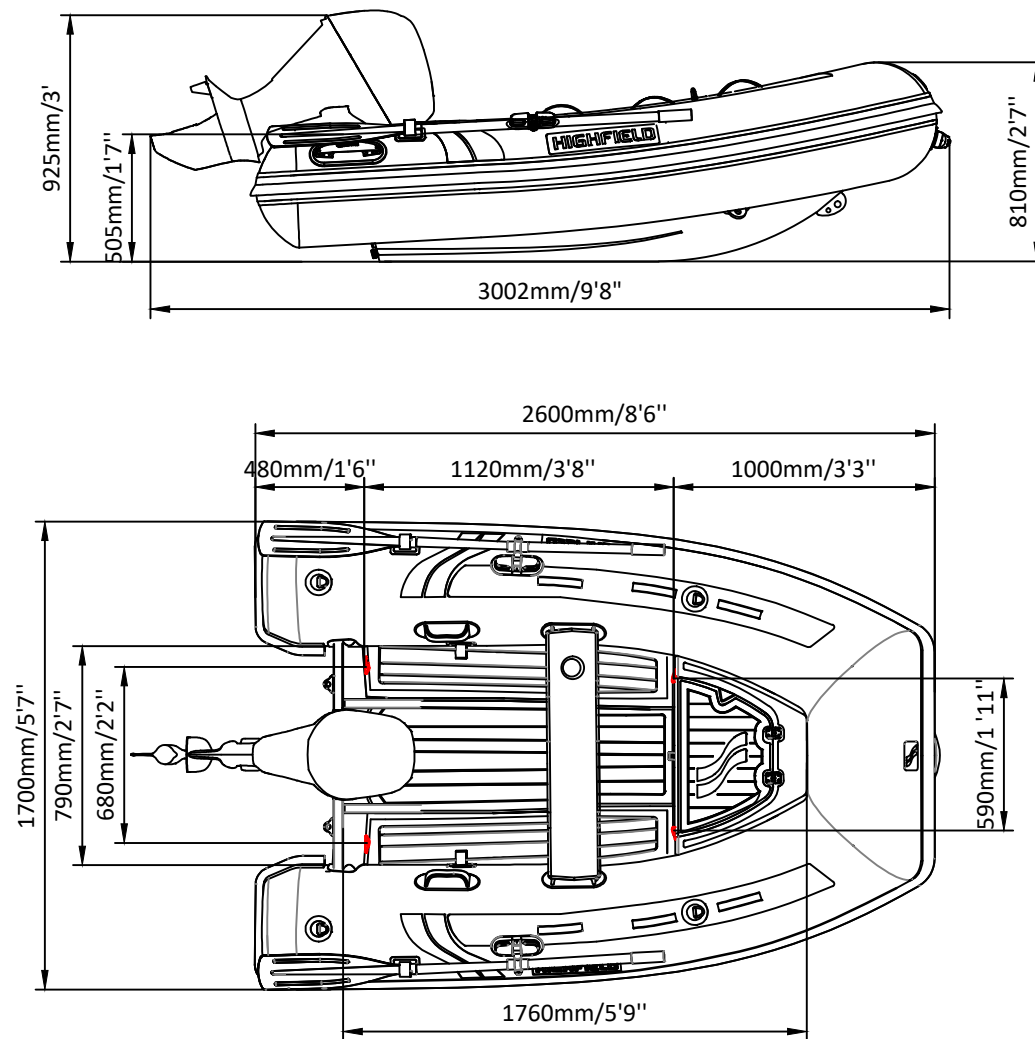


CLASSIC 260

SPECIFICATIONS



SPECIFICATIONS AND MAXIMUM CAPACITIES (Subject to change without notice. Tolerances: Dimensions ±2.5% Weight ±5%)

MODEL	ISO 6185 PART	ISO 6185			#			 Outboard Engine	 Shaft	 Max power		 Max weight		 KG	 LB	 Oars		 Fuel tank Capacity		 Wet Weight (Approximate) 15HP (11.19KW)		 AIR CHAMBERS					
			KG	LB		KG	LB			KW	HP	KG	LB			KG	LB	L	GAL	KG	LB		PSI	BAR			
			KG	LB		KG	LB			KG	LB	KG	LB	KG	LB	/	/	/	/	KG	LB		PSI	BAR			
CL260	2	C	360	794	3+1	263	579	S	11.19	15	60	132	54	119	3	6.6	1.5	3.3	/	/	/	/	118	262	3	3.63	0.25

Weight: boat only.

2021V5