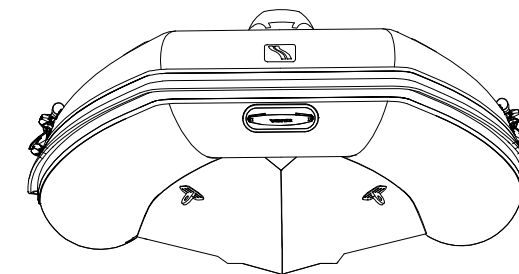
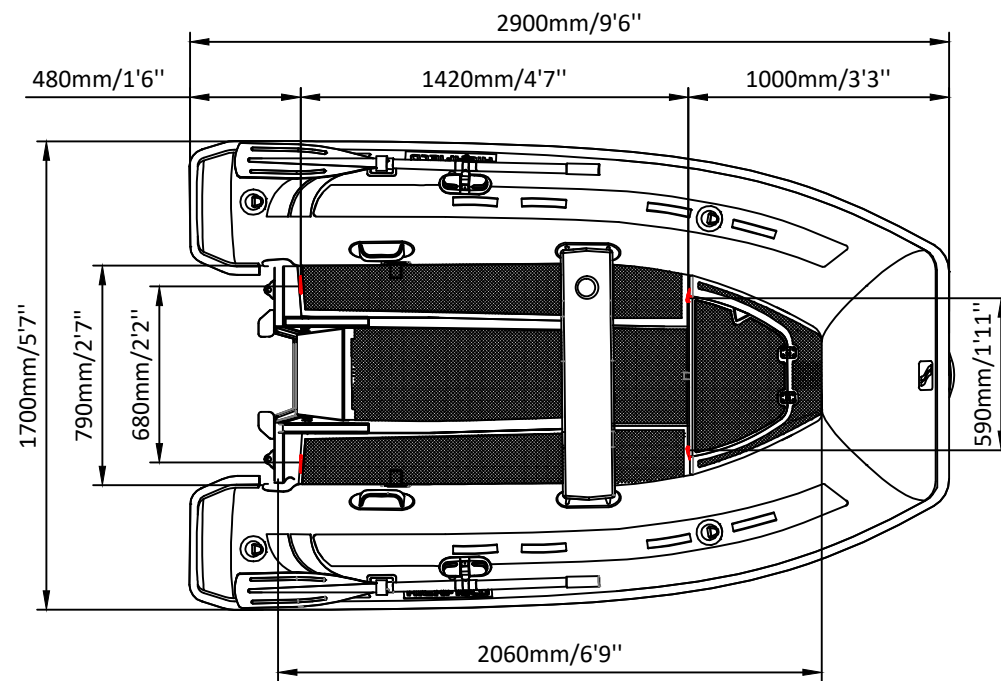
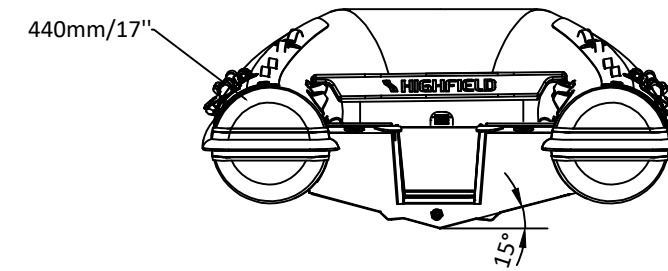
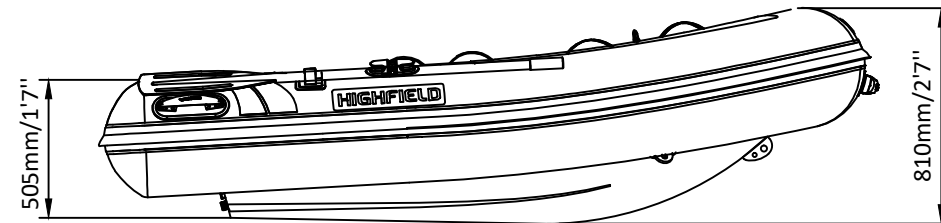


CLASSIC 290 FT

SPECIFICATIONS



SPECIFICATIONS AND MAXIMUM CAPACITIES (Subject to change without notice. Tolerances: Dimensions ±2.5% Weight ±5%)

MODEL	ISO 6185 PART	ISO 6185			#			Shaft	Outboard Engine				Molded seat		Oars		/		Fuel tank Capacity		Wet Weight (Approximate) 20HP (14.92KW)		AIR CHAMBERS				
			KG	LB		KG	LB		KW	HP	KG	LB	KG	LB	KG	LB	L	GAL	KG	LB	PSI	BAR					
			KG	LB		Max power	Max weight																	KG	LB	KG	LB
CL290FT	2	C	480	1058	4	300	661	S	14.92	20	104.5	230	59	130	3	6.6	1.5	3.3	/	/	/	/	168	370	3	3.63	0.25

Weight: boat only.

2021V3