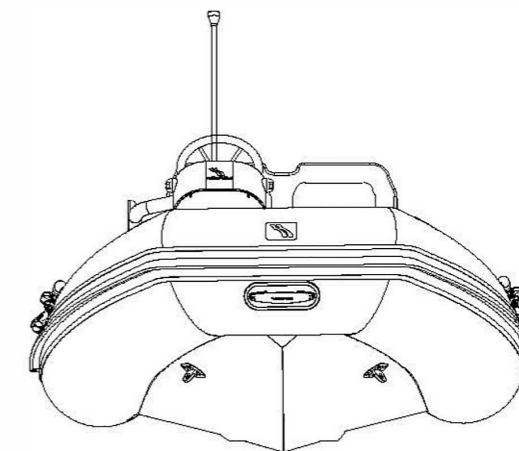
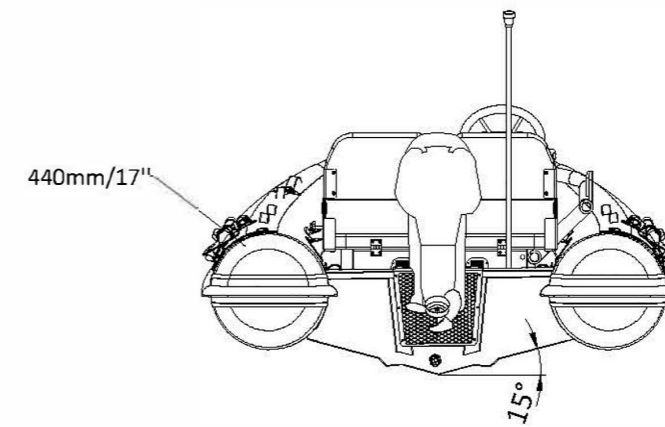
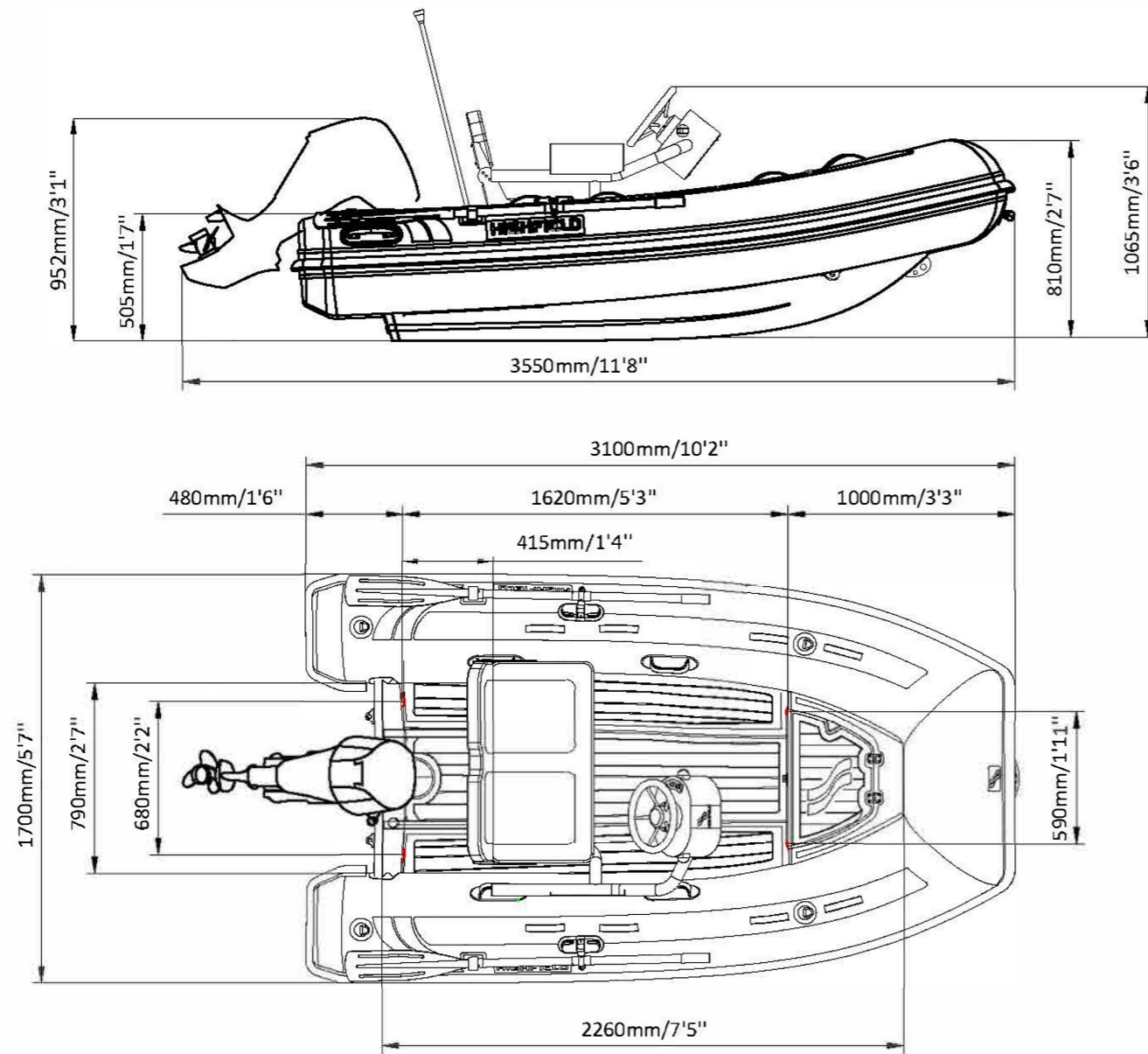


# CLASSIC 310

# SPECIFICATIONS



SPECIFICATIONS AND MAXIMUM CAPACITIES (Subject to change without notice. Tolerances: dimensions ±2.5%, weights ±5%)

MODEL	ISO 6185 PART	ISO 6185	Person		#	Person		Shaft	Outboard Engine				FCT		Molded seat		Oars		Fuel tank Capacity		Wet Weight (Approximate) with 20hp Tohatsu		AIR CHAMBERS	Pressure			
			KG	LB		KG	LB		KW	HP	KG	LB	KG	LB	KG	LB	L	GAL	KG	LB	PSI	BAR					
			KG	LB		KG	LB																	KG	LB	KG	LB
CL310	2	C	550	1213	5	375	827	S	14.92	20	104.5	230	62	137	36	79	3	6.6	1.5	3.3	/	/	168	370	3	3.63	0.25

Weight: boat only.