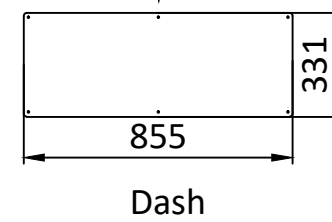
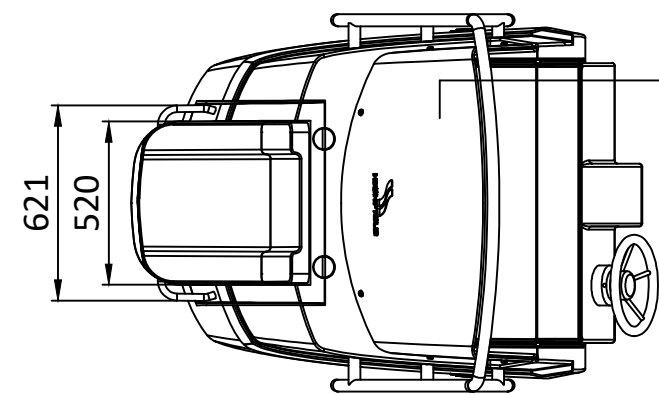
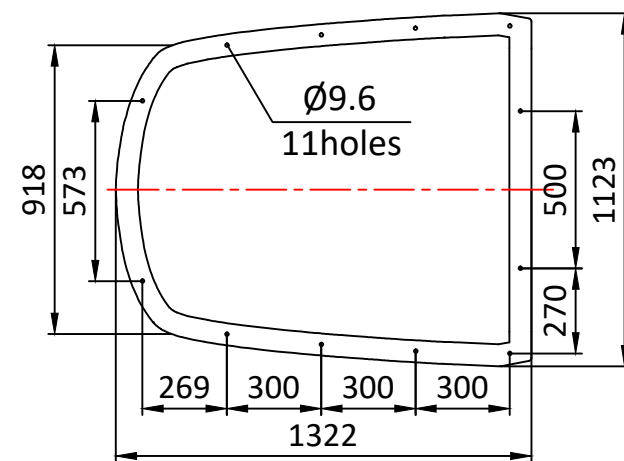


View B



Dash



View A

Item	Designation	Part Number	Qty
1	Console	SUS1100ST-01	1
2	Cushion	SUS1100ST-D-01	1
3	Backrest	SUS1100ST-R-01	1
4	Handrail	SUS1100ST-H2-01	1
5	Steering wheel assembly		1
6	Windshield		1

	SUS1100ST-01		DWN: XQC
			APPROVED: LXL
info@highfieldboats.com	DWG:	SCALE:	DATE: 2020.12.14

(C) Copyright reserved. No unauthorized use allowed.
All intellect - ideas - concepts remain the property of Highfield Boats