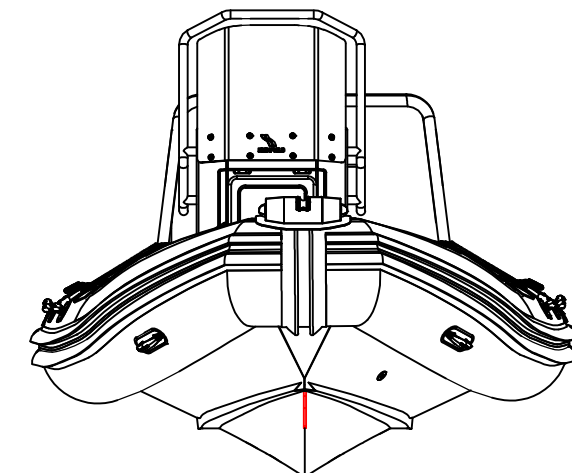
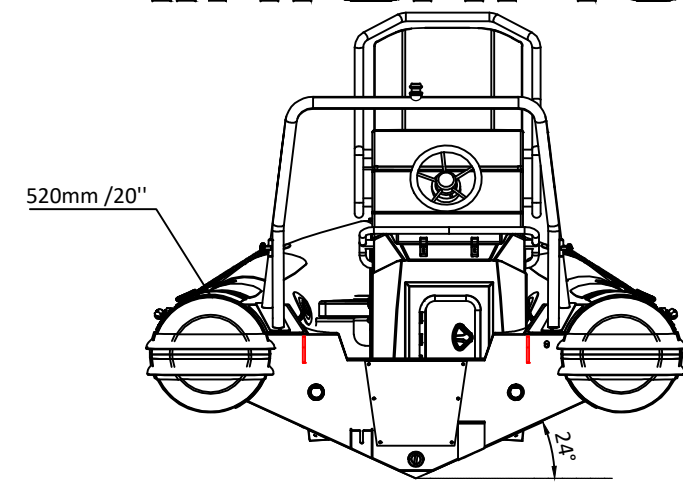
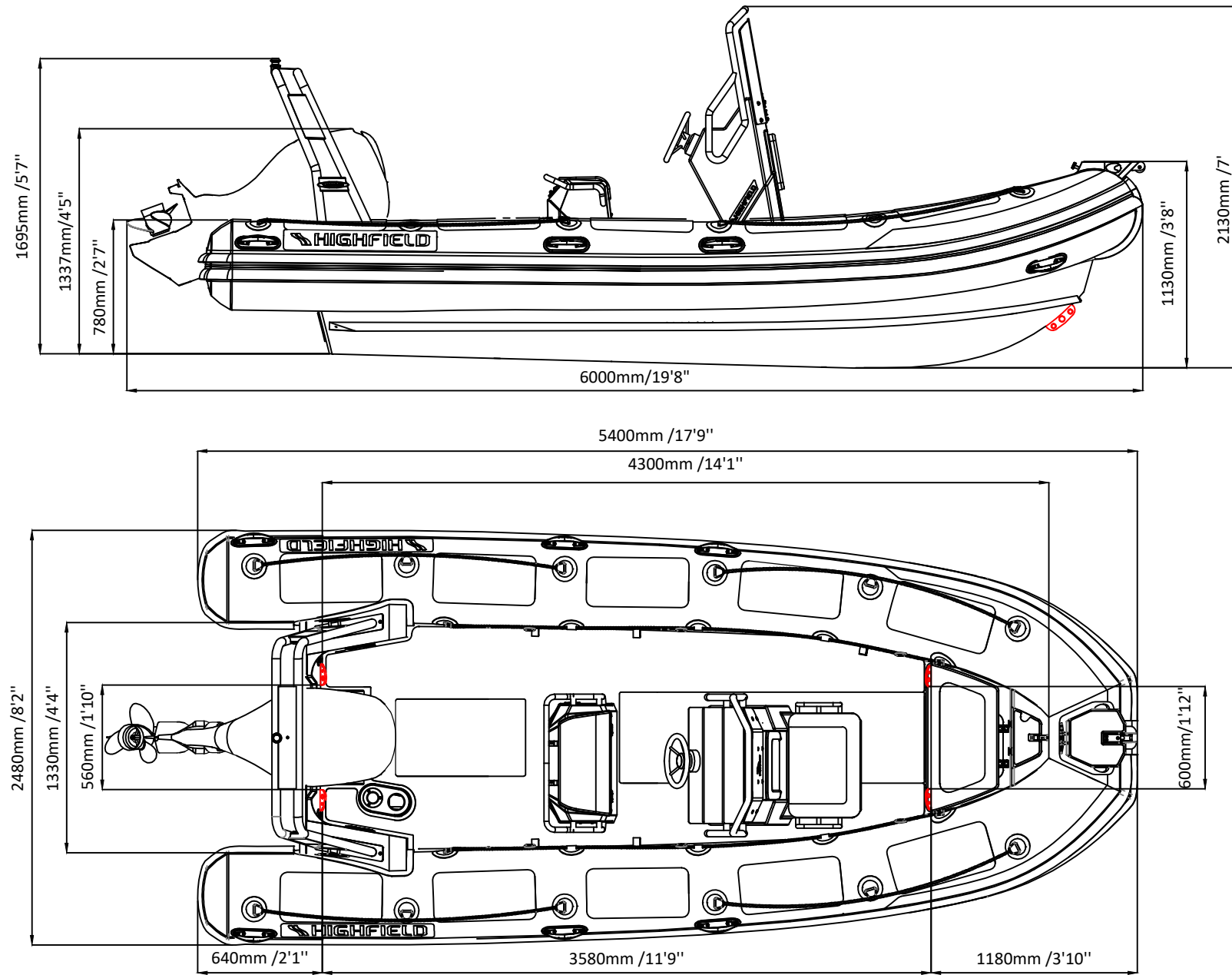


PATROL 540

SPECIFICATIONS



SPECIFICATIONS AND MAXIMUM CAPACITIES (Subject to change without notice. Tolerances: Dimensions ±2.5% Weight ±5%)

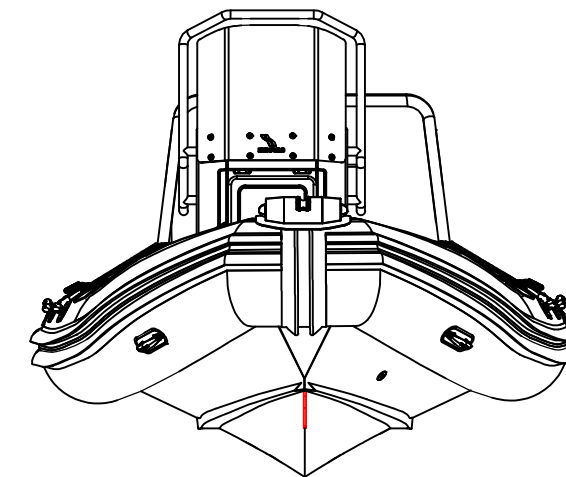
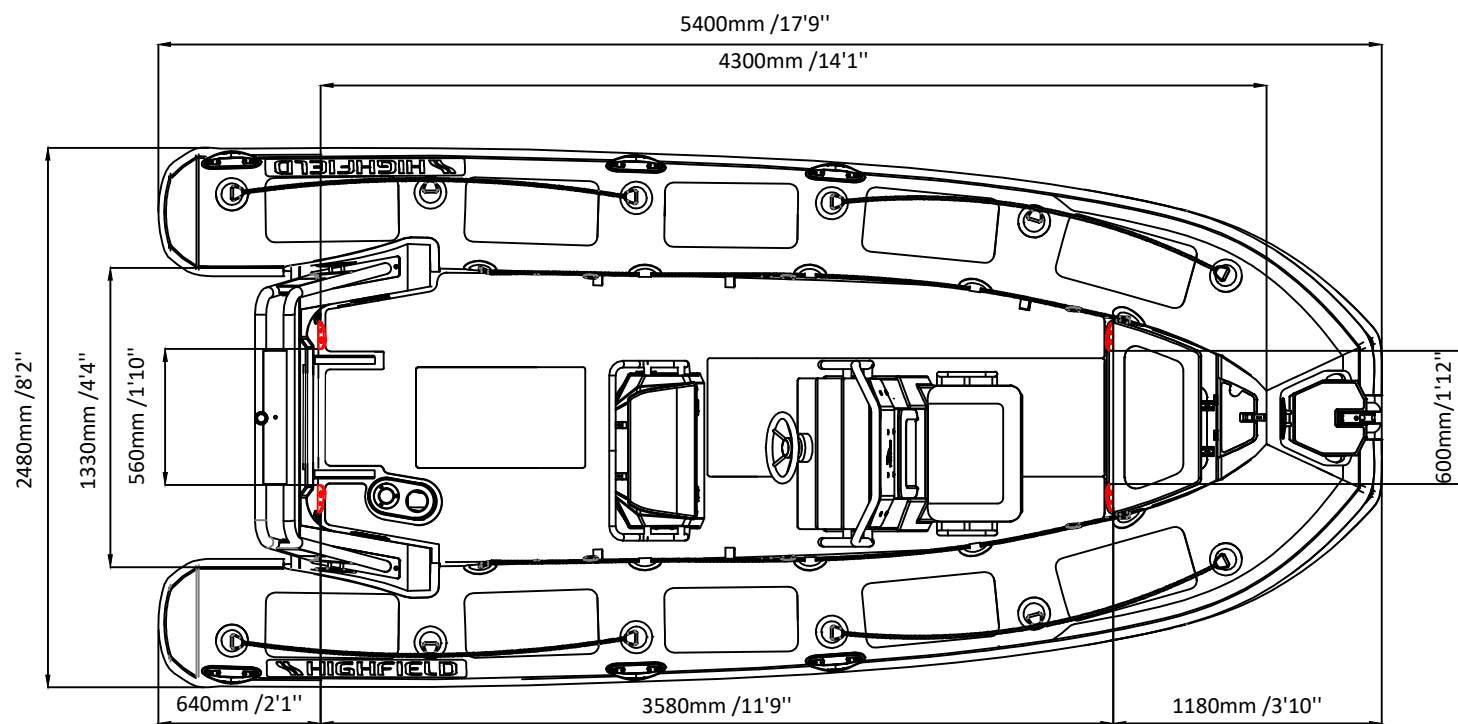
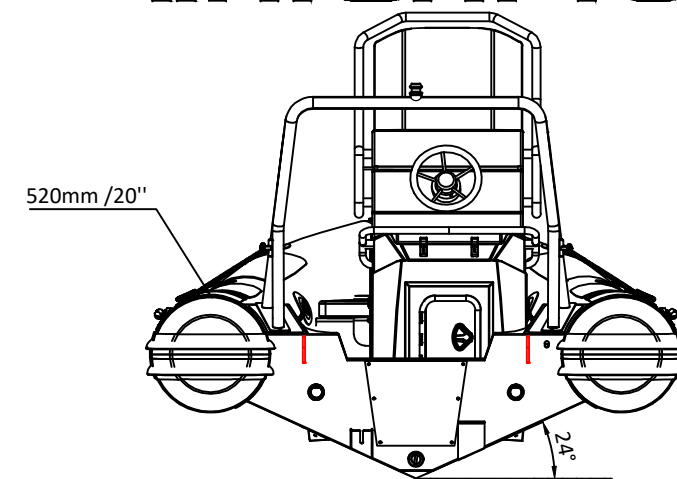
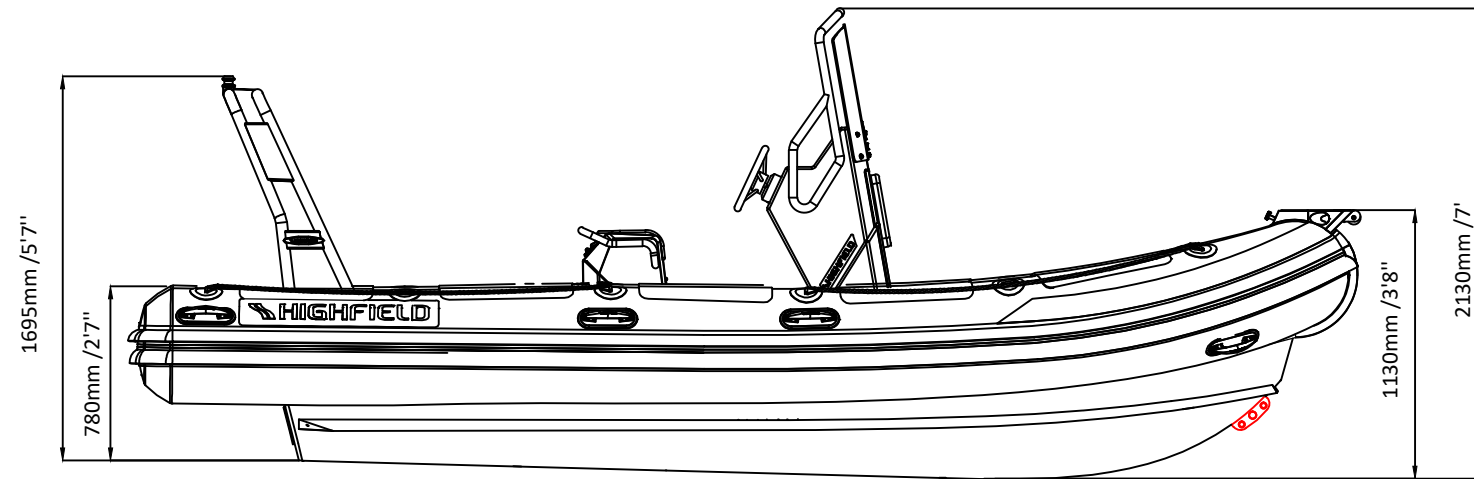
MODEL	ISO 6185 PART	ISO 6185	Crew		#	Weight		Shaft	Outboard Engine		Sundeck		Rollbar		Tow post		Fuel tank Capacity		Wet Weight (Approximate) 115HP (85.79KW) +Fuel		AIR CHAMBERS	Pressure					
			KG	LB		KG	LB		KG	LB	KG	LB	KG	LB	L	GAL	KG	LB	PSI	BAR							
			Max power KW	Max weight HP		KG	LB		KG	LB	KG	LB	KG	LB	KG	LB	KG	LB	PSI	BAR							
PA540	3	C	1262	2782	12	900	1984	L	85.79	115	258.6	570	464	1022	/	/	15	32	/	/	105	27.7	828.7	1827	6	3.63	0.25

Boat weight includes: console, seat

2021V6

PATROL 540

SPECIFICATIONS



SPECIFICATIONS AND MAXIMUM CAPACITIES (Subject to change without notice. Tolerances: Dimensions ±2.5% Weight ±5%)

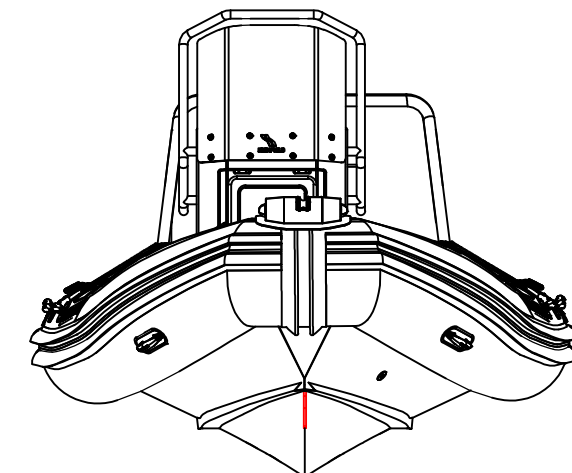
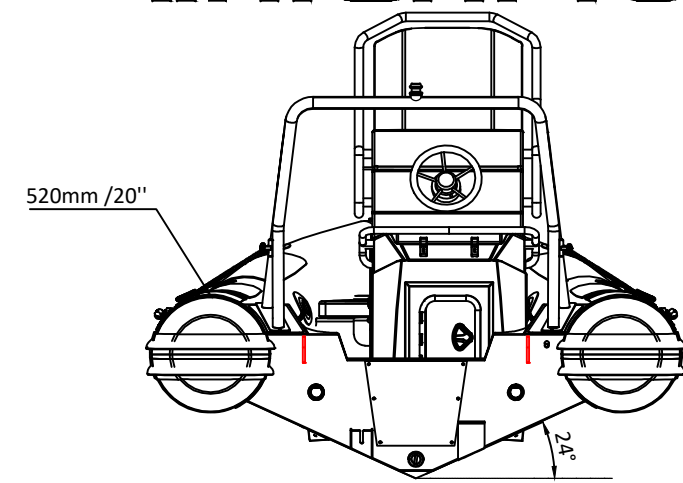
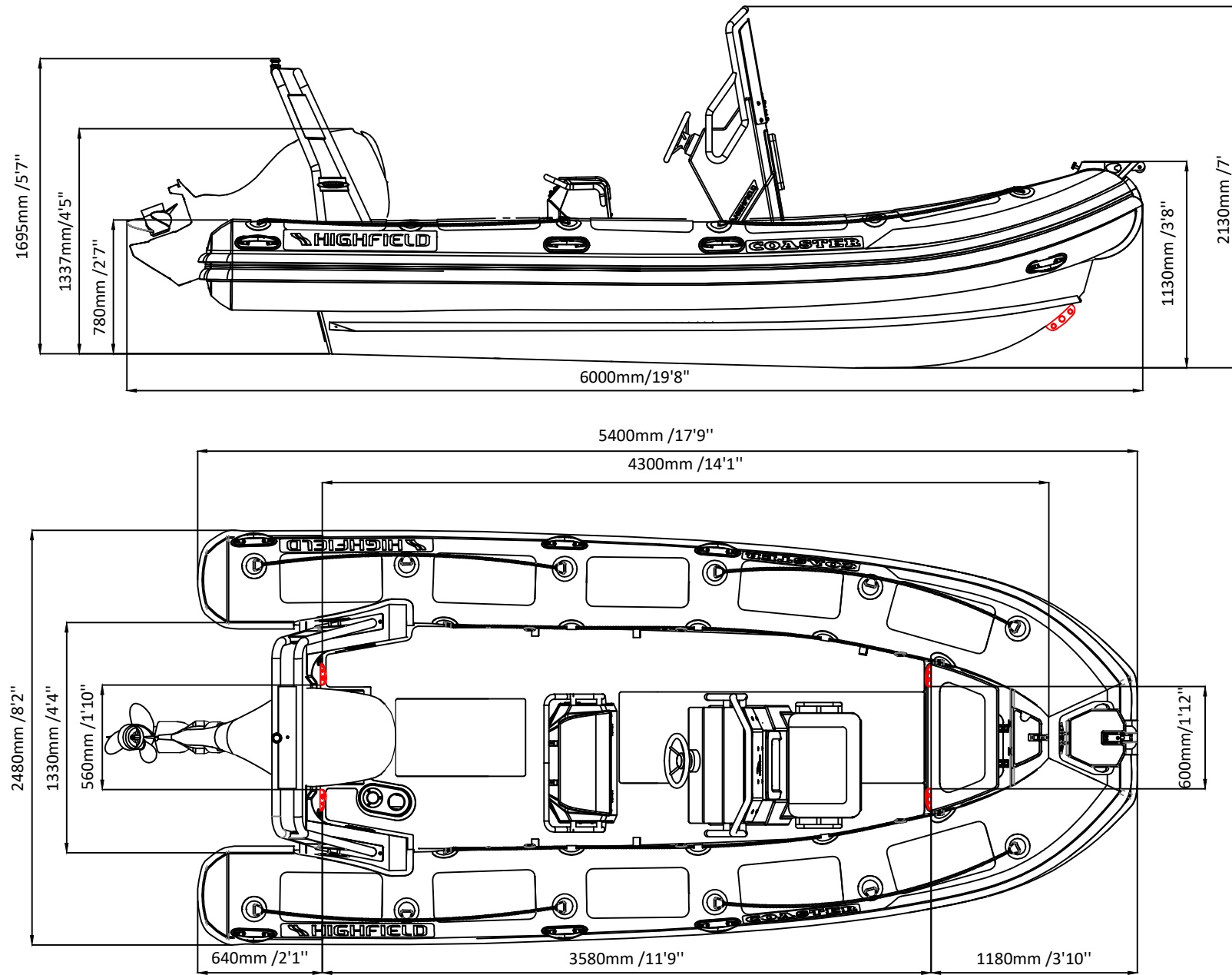
MODEL	ISO 6185 PART	ISO 6185	Crew		#	Weight		Shaft	Outboard Engine		Sundeck		Rollbar		Tow post		Fuel tank Capacity		Wet Weight (Approximate) 115HP (85.79KW) +Fuel		AIR CHAMBERS	Pressure					
			KG	LB		KG	LB		KG	LB	KG	LB	KG	LB	L	GAL	KG	LB	PSI	BAR							
			Max power KW	Max weight HP		KG	LB		KG	LB	KG	LB	KG	LB	KG	LB	KG	LB	PSI	BAR							
PA540	3	C	1262	2782	12	900	1984	L	85.79	115	258.6	570	464	1022	/	/	15	32	/	/	105	27.7	828.7	1827	6	3.63	0.25

Boat weight includes: console, seat

2021V6

PATROL 540 COASTER

SPECIFICATIONS



SPECIFICATIONS AND MAXIMUM CAPACITIES (Subject to change without notice. Tolerances: Dimensions ±2.5% Weight ±5%)

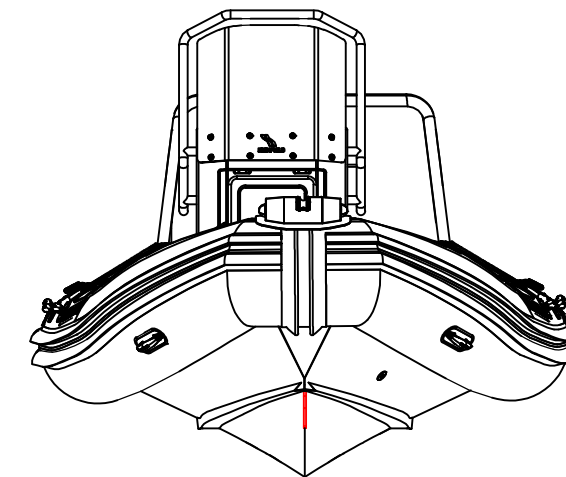
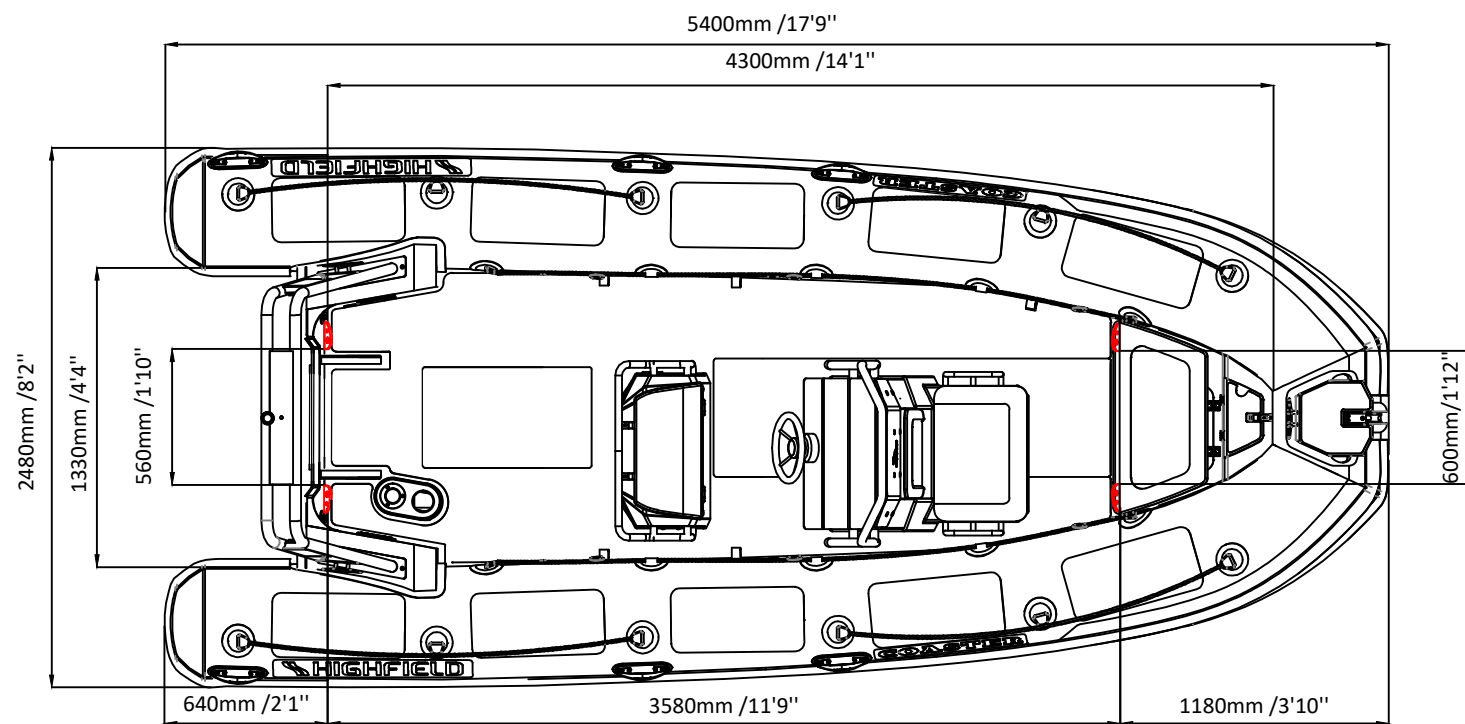
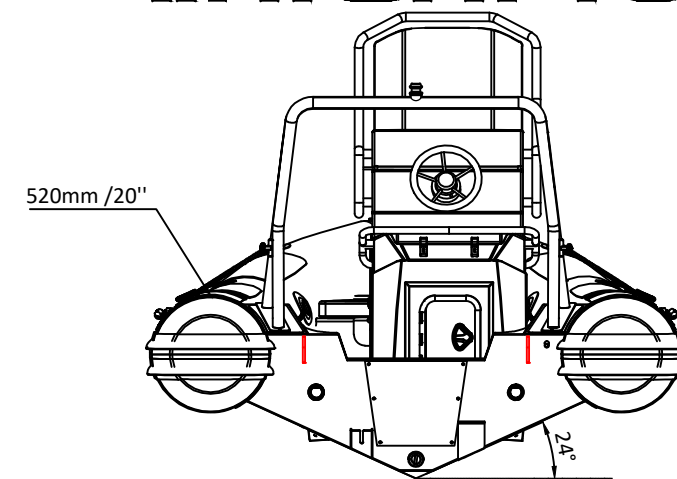
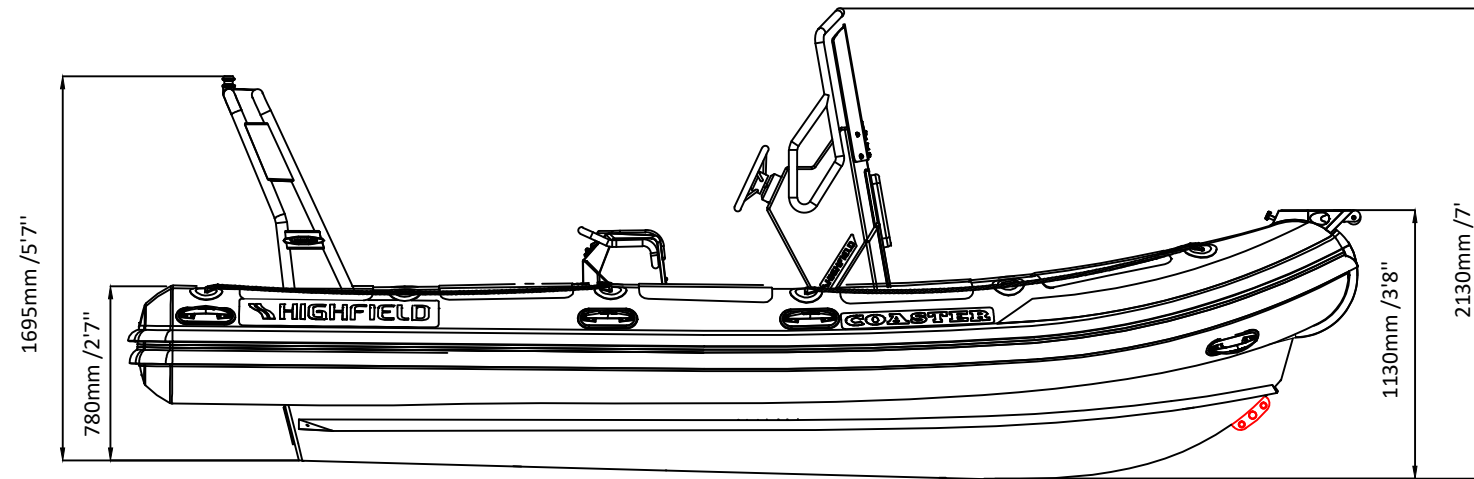
MODEL	ISO 6185 PART	ISO 6185	Occupants		#	Weight		Shaft	Outboard Engine		Sundeck		Rollbar		Tow post		Fuel tank Capacity		Wet Weight (Approximate) 115HP (85.79KW) +Fuel		AIR CHAMBERS	Pressure					
			KG	LB		KG	LB		KG	LB	KG	LB	KG	LB	L	GAL	KG	LB	PSI	BAR							
PA540 COASTER	3	C	1262	2782	12	900	1984	L	85.79	115	258.6	570	464	1022	/	/	15	32	/	/	105	27.7	828.7	1827	6	3.63	0.25

Boat weight includes: console, seat

2021V3

PATROL 540 COASTER

SPECIFICATIONS



SPECIFICATIONS AND MAXIMUM CAPACITIES (Subject to change without notice. Tolerances: Dimensions ±2.5% Weight ±5%)

MODEL	ISO 6185 PART	ISO 6185	Passengers		#	Weight		Shaft	Outboard Engine		Sundeck		Rollbar		Tow post		Fuel tank Capacity		Wet Weight (Approximate) 115HP (85.79KW) +Fuel		AIR CHAMBERS	Pressure					
			KG	LB		KG	LB		KG	LB	KG	LB	KG	LB	L	GAL	KG	LB	PSI	BAR							
PA540 COASTER	3	C	1262	2782	12	900	1984	L	85.79	115	258.6	570	464	1022	/	/	15	32	/	/	105	27.7	828.7	1827	6	3.63	0.25

Boat weight includes: console, seat

2021V3