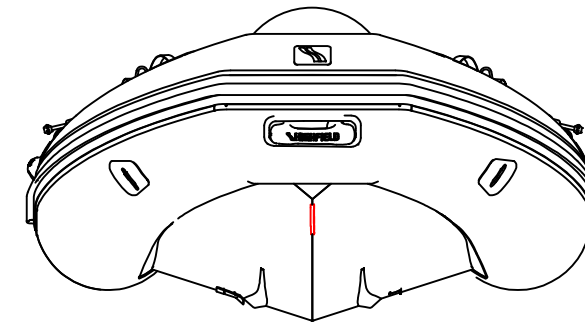
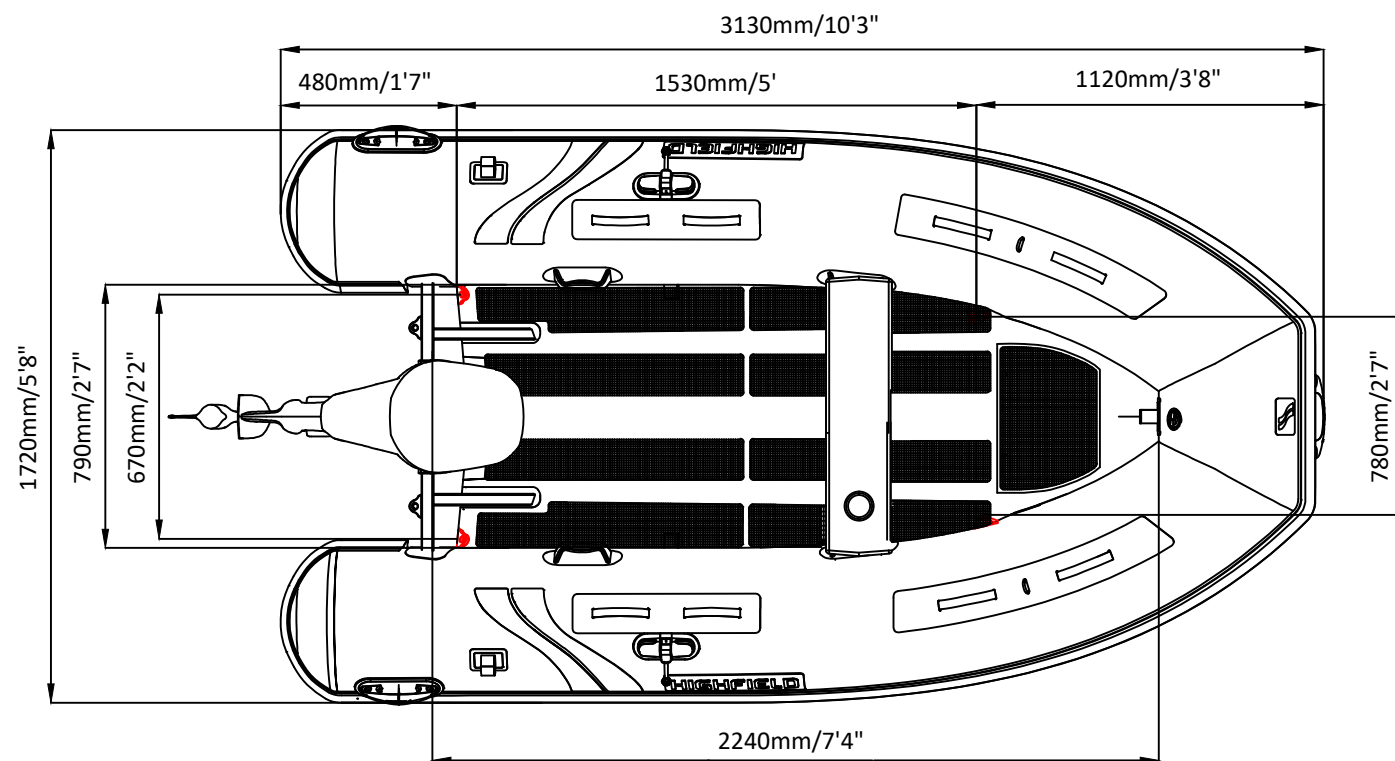
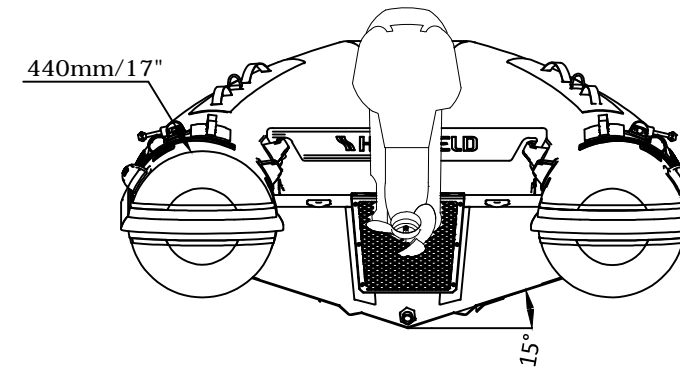
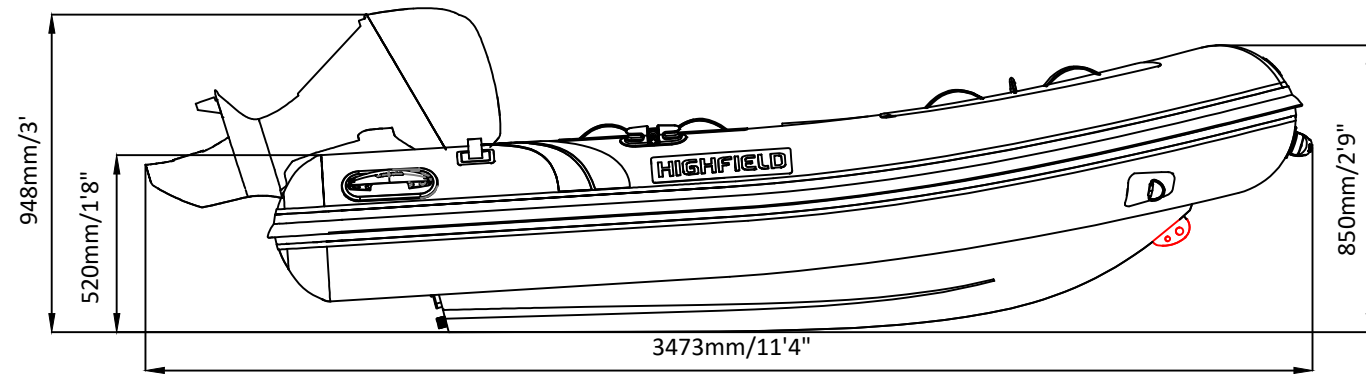


# ULTRALITE 310

# SPECIFICATIONS



SPECIFICATIONS AND MAXIMUM CAPACITIES (Subject to change without notice. Tolerances: Dimensions ±2.5% Weight ±5%)

MODEL	ISO 6185 PART	ISO 6185	Person		#	Person		Shaft	Outboard Engine		Molded seat		Oars		/		Fuel tank Capacity		Wet Weight (Approximate) 15HP (11.19KW) +Fuel		AIR CHAMBERS	Pressure					
			KG	LB		KG	LB		Max power	Max weight	KG	LB	KG	LB	KG	LB	/	/	L	GAL		KG	LB	PSI	BAR		
									KW	HP	KG	LB															
UL310	2	C	585	1290	5	375	827	S	11.19	15	60	132	50	110	3	6.6	1.5	3.3	/	/	/	/	130	287	3	3.63	0.25

Weight: boat only.