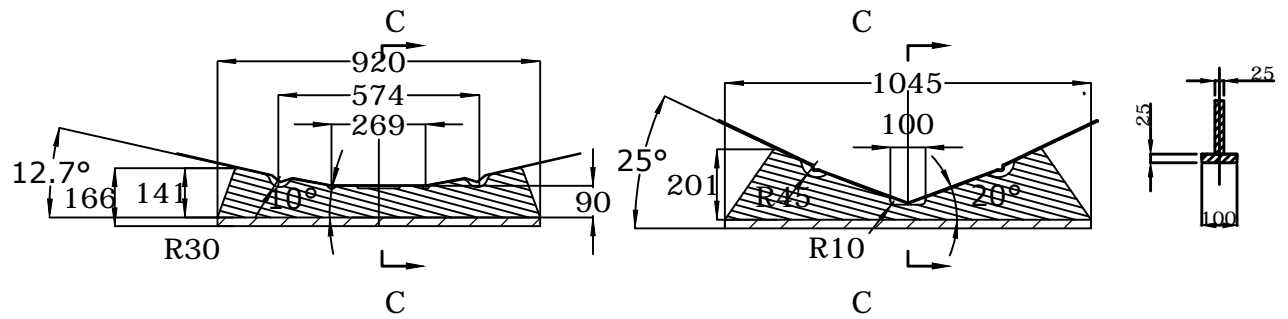



LONGITUDINAL PROFILE



TRANSVERSAL SECTION "A"

TRANSVERSAL SECTION "B"

TRANSVERSAL SECTION "C"

|   |             |        |                  |
|---|-------------|--------|------------------|
|    | UL220 CHOCK |        | DWN: TYJ         |
|   |             |        | APPROVED: LXL    |
| info@highfieldboats.com   | DWG:        | SCALE: | DATE: 2021-09-17 |
| (C) Copyright reserved. No unauthorized use allowed.<br>All intellect - ideas - concepts remain the property of Highfield Boats |             |        |                  |