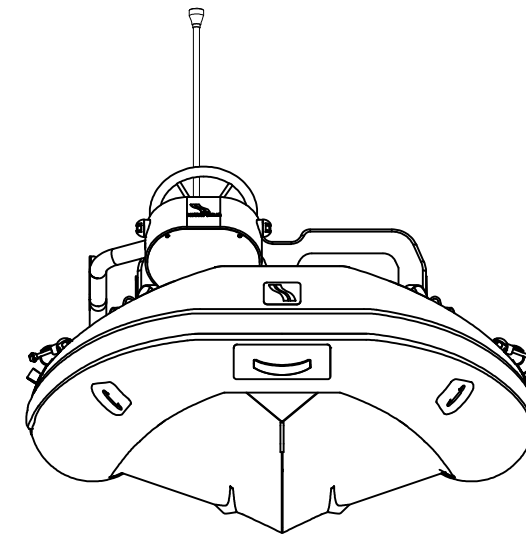
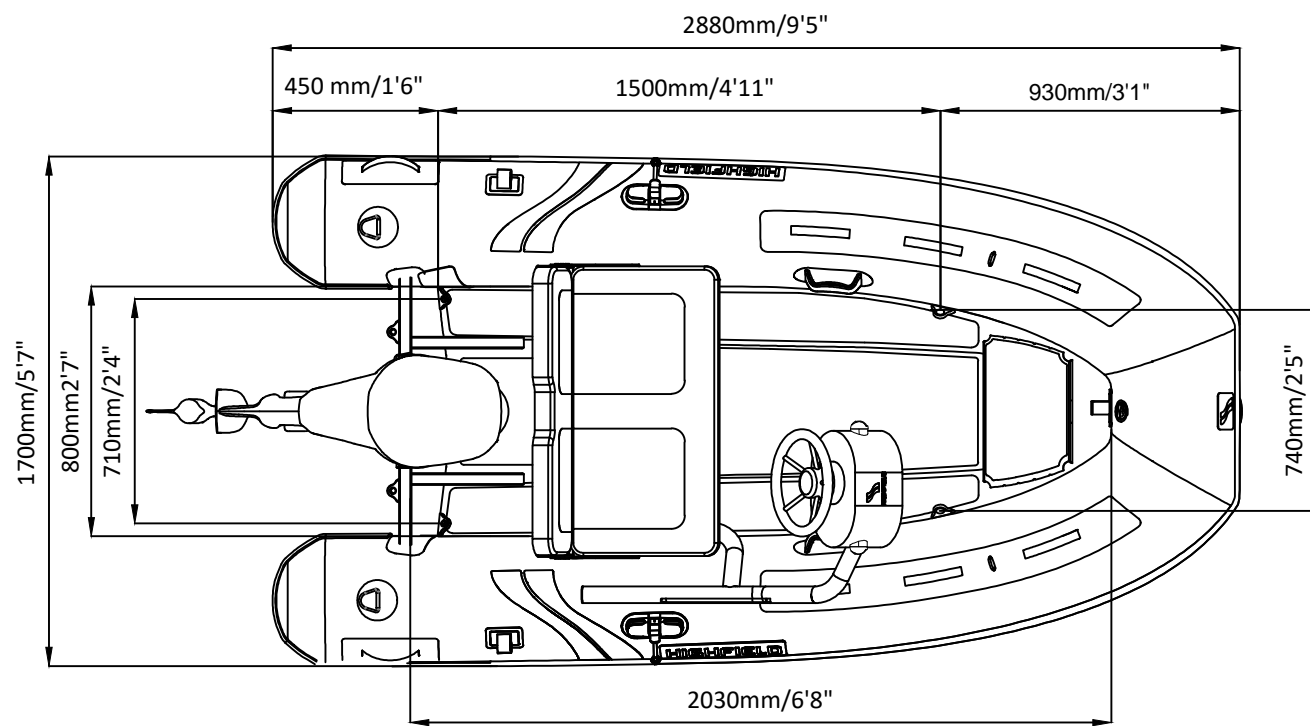
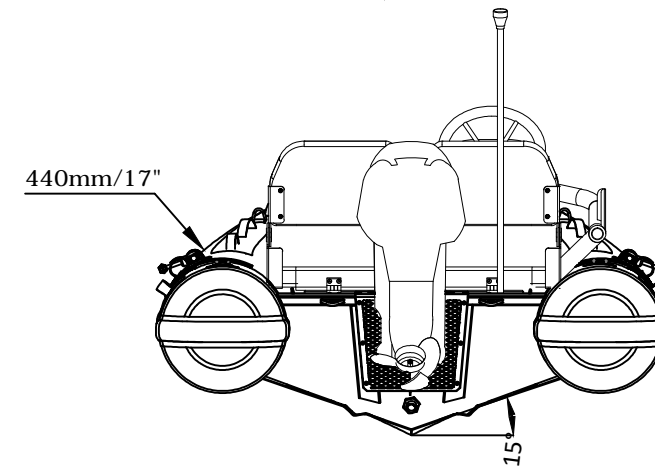
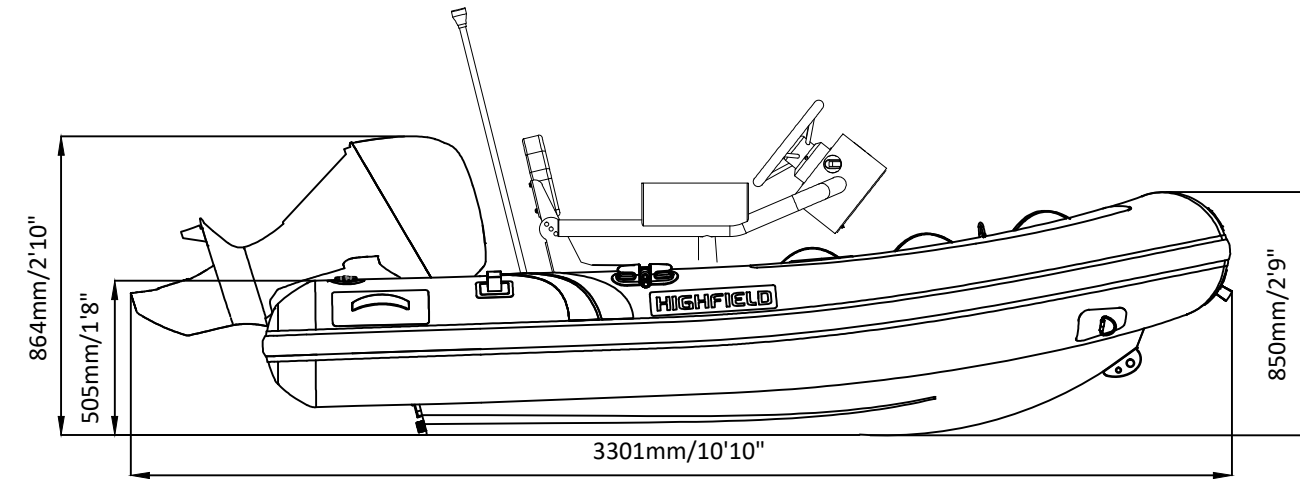


ULTRALITE 290FD

SPECIFICATIONS



SPECIFICATIONS AND MAXIMUM CAPACITIES (Subject to change without notice.Tolerances:Dimensions ±2.5% Weight ±5%)

MODEL	ISO 6185 PART	ISO 6185			#			Shaft	Outboard Engine				Molded seat		Oars		FCT		Fuel tank Capacity		Wet Weight (Approximate) 15HP Tohatsu +Fuel		AIR CHAMBERS				
			KG	LB		KG	LB		KG	LB	KG	LB	KG	LB	KG	LB	L	GAL	KG	LB	PSI	BAR					
UL290FD	2	C	400	882	4	300	661	S	11.19	15	60	132	45	99	3	6.6	1.5	3.3	36	79	/	/	165	364	3	3.63	0.25

Weight: boat only.

2022V1