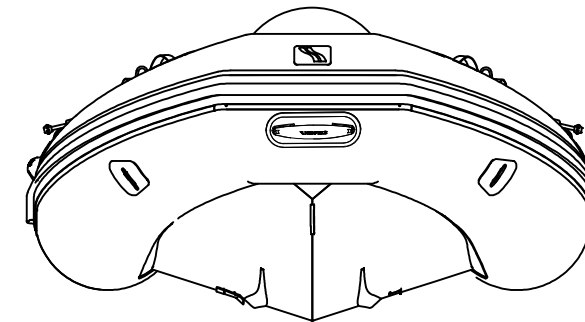
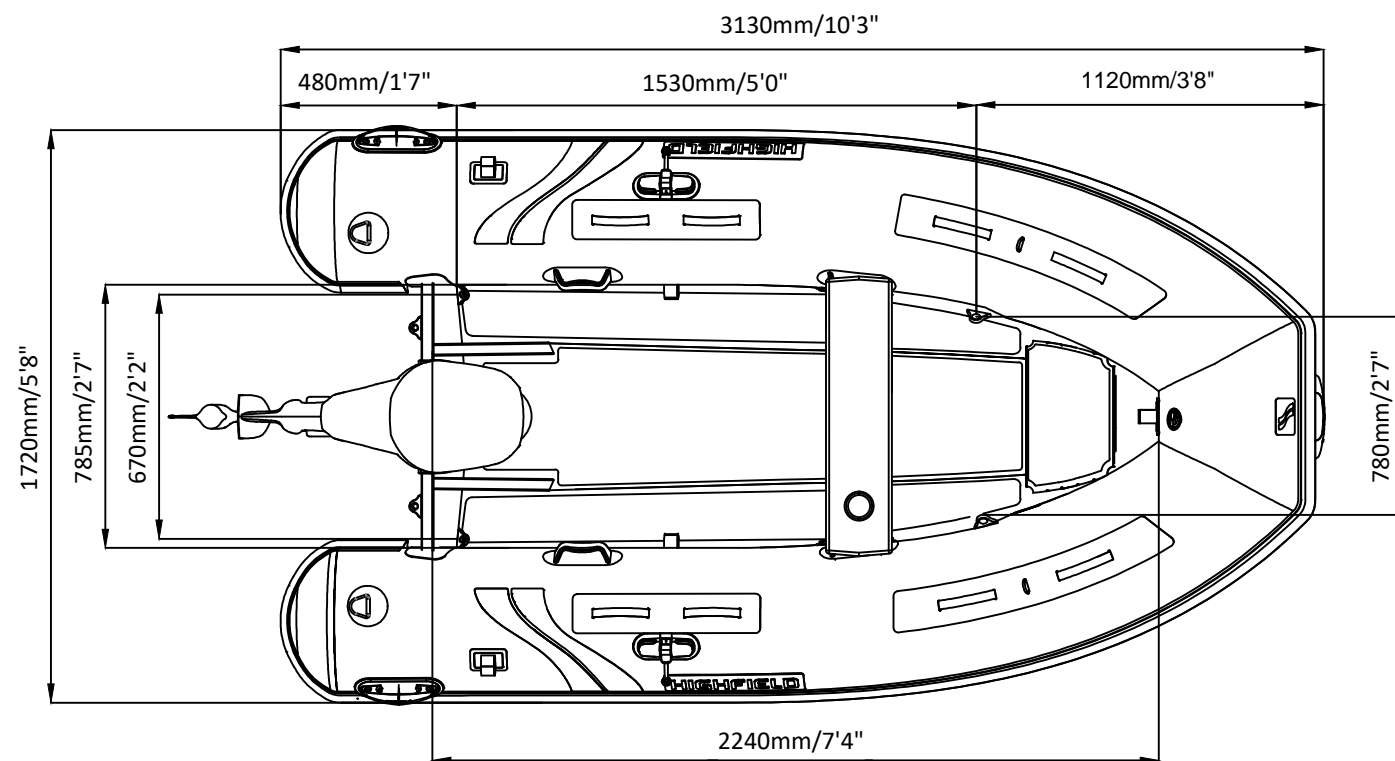
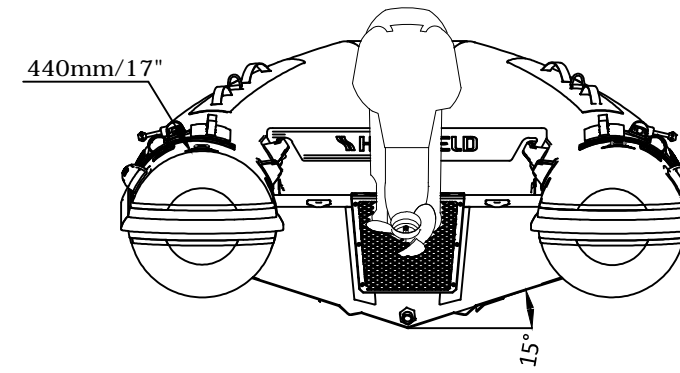
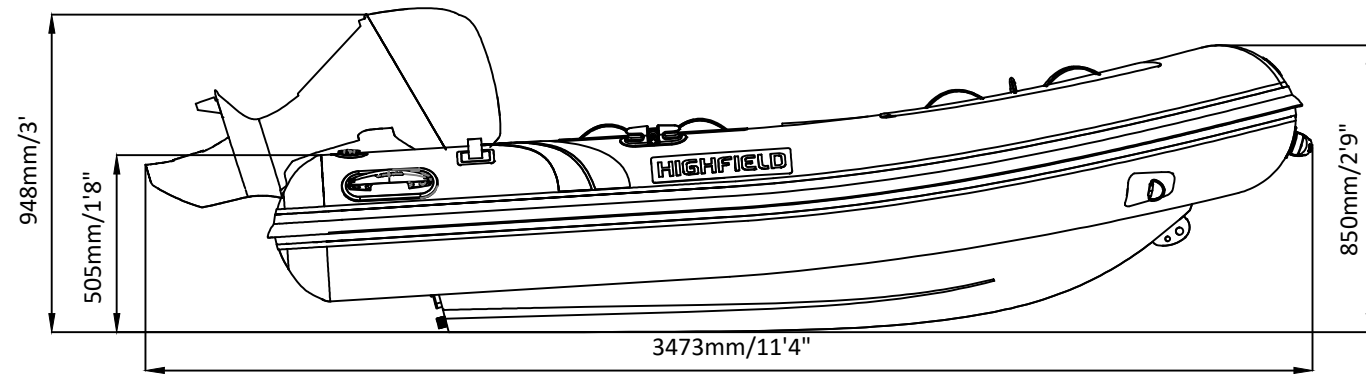


ULTRALITE 310FD

SPECIFICATIONS



SPECIFICATIONS AND MAXIMUM CAPACITIES (Subject to change without notice. Tolerances: Dimensions ±2.5% Weight ±5%)

MODEL	ISO 6185 PART	ISO 6185			#			Shaft							/						AIR CHAMBERS						
			KG	LB		KG	LB		Max power	Max weight	KG	LB	KG	LB	KG	LB	/	/	L	GAL		KG	LB	PSI	BAR		
									KW	HP	KG	LB															
UL310FD	2	C	585	1290	5	375	827	S	11.19	15	60	132	53.5	118	3	6.6	1.5	3.3	/	/	/	/	97	213	3	3.63	0.25

Weight: boat only.

2022V1