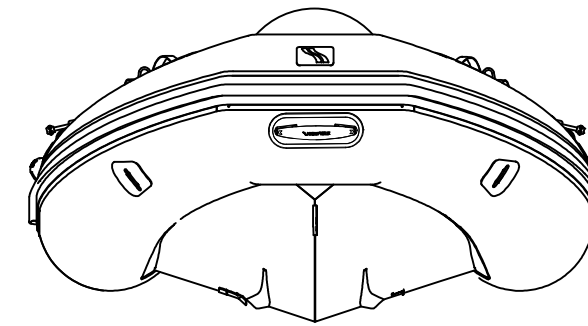
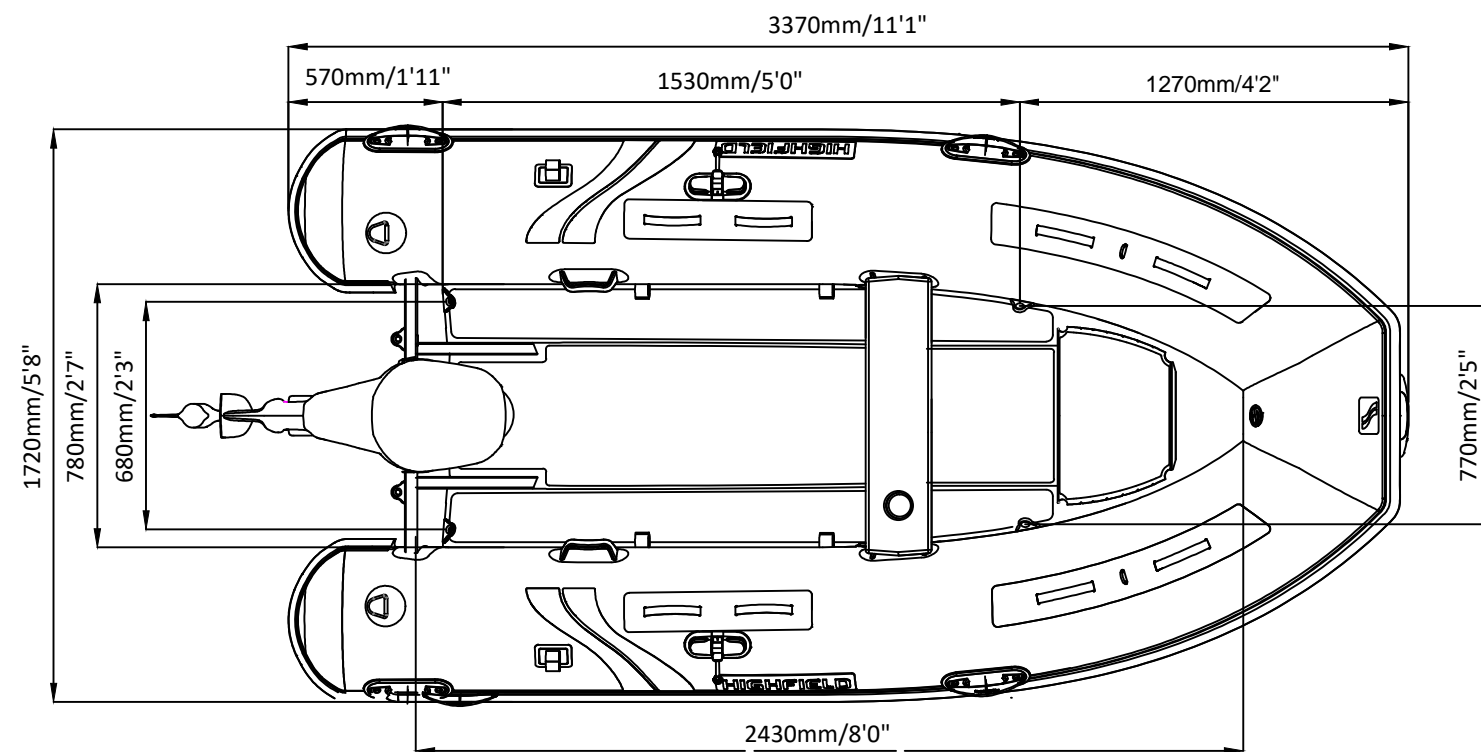
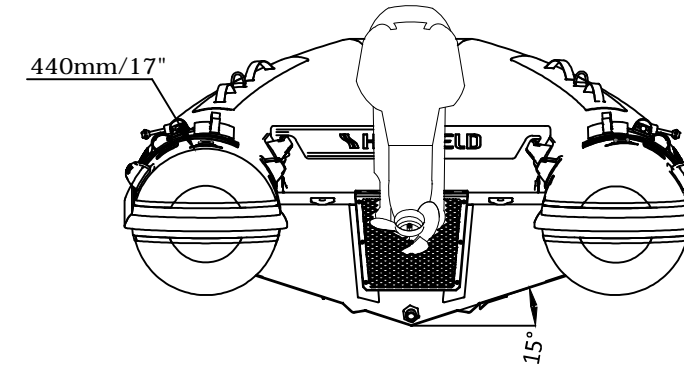
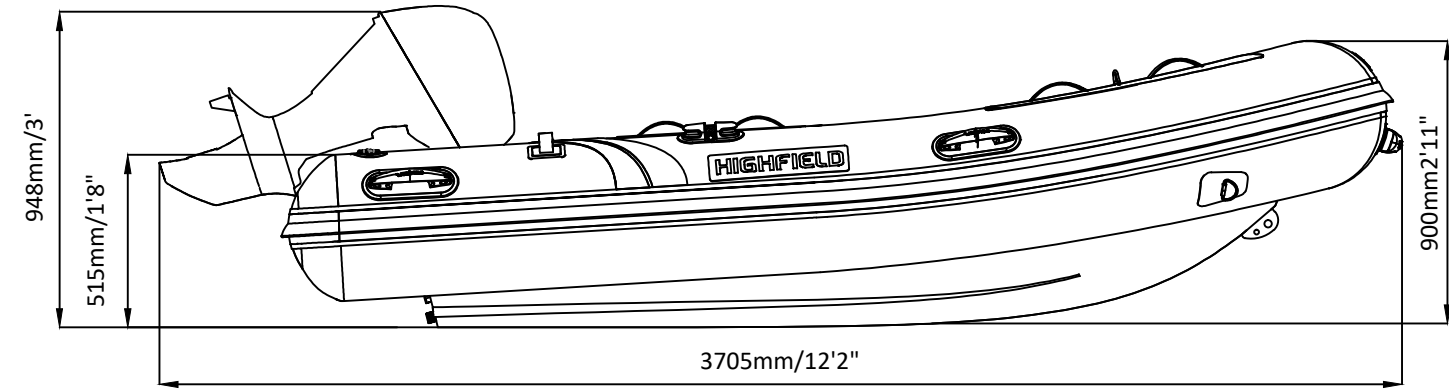


ULTRALITE 340FD

SPECIFICATIONS



SPECIFICATIONS AND MAXIMUM CAPACITIES (Subject to change without notice. Tolerances: Dimensions ±2.5% Weight ±5%)

MODEL	ISO 6185 PART	ISO 6185			#			Shaft	 Outboard Engine		 Molded seat		Oars		/		Fuel tank Capacity		 Wet Weight (Approximate) 20HP (14.92KW) +Fuel		AIR CHAMBERS						
			KG	LB		KG	LB		KG	LB	KG	LB	KG	LB	KG	LB	L	GAL	KG	LB		PSI	BAR				
UL340FD	2	C	663	1462	5+1	413	909	S	14.92	20	104.5	230	61	134	3	6.6	1.5	3.3	/	/	/	/	104	229	3	3.63	0.25

Weight: boat only.

2022V1