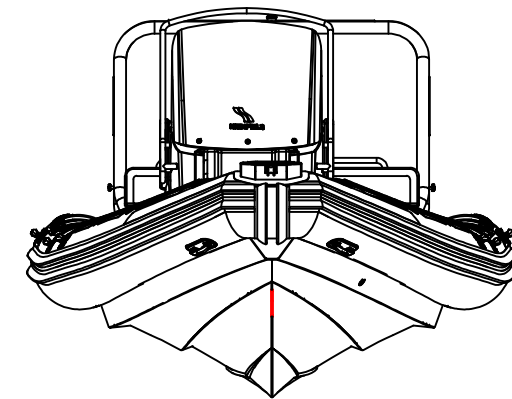
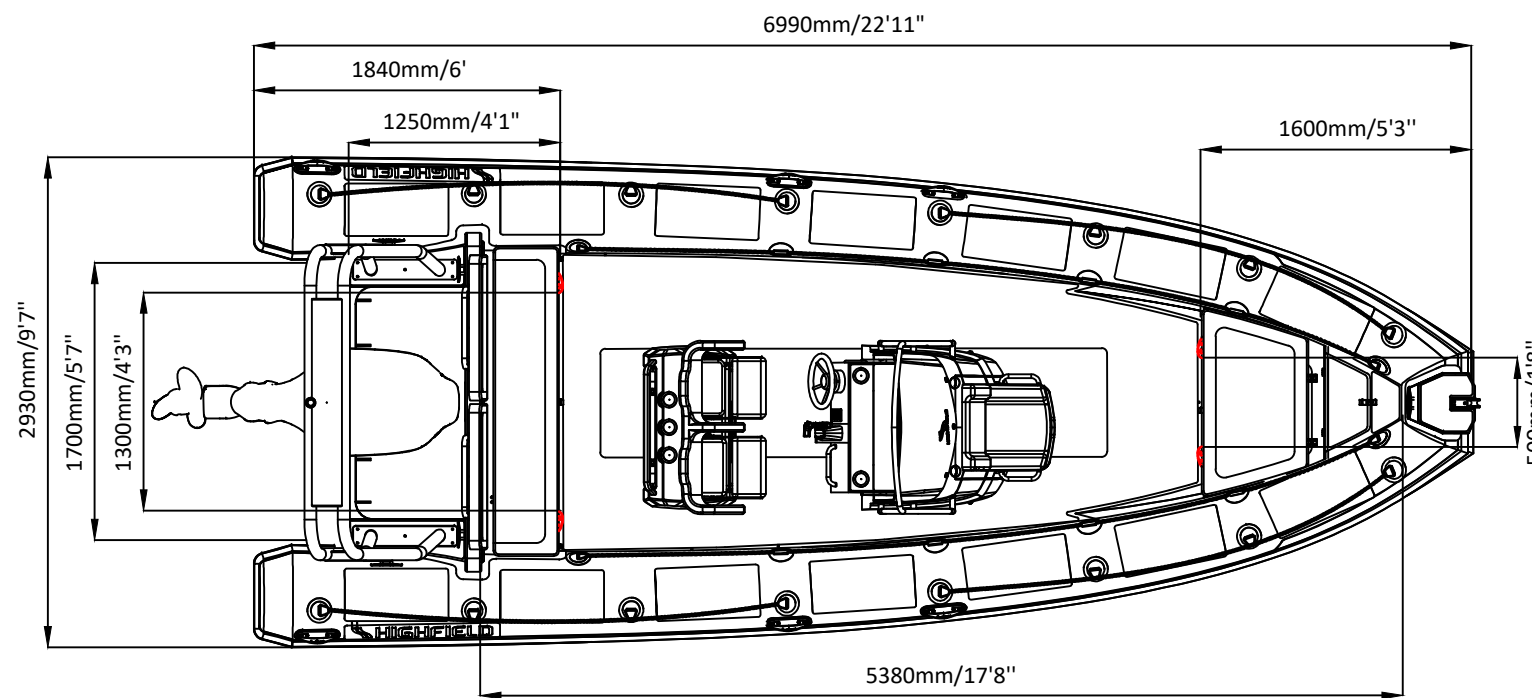
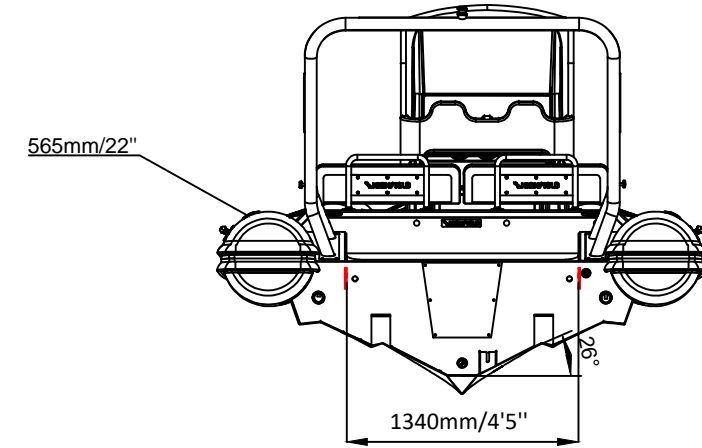
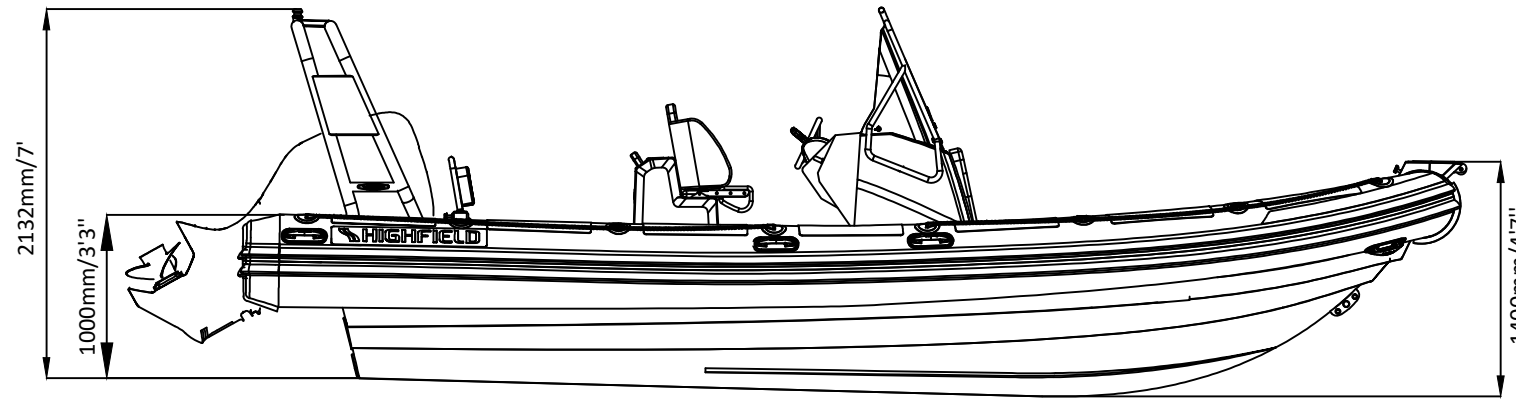


PATROL 700SB

SPECIFICATIONS



SPECIFICATIONS AND MAXIMUM CAPACITIES (Subject to change without notice. Tolerances: dimensions ±2.5%, weights ±5%)

MODEL	ISO 6185 PART	ISO 6185	Crew		#	Weight		Shaft	Outboard Engine		Shower kit		Rollbar		Platform		Fuel tank Capacity		Wet Weight (Approximate) 250HP (186.5KW) +Fuel		AIR CHAMBERS	Pressure					
			KG	LB		KG	LB		KG	LB	KG	LB	KG	LB	L	GAL	KG	LB	PSI	BAR							
PA700 SB	3	C	1503	3312	14	1050	2315	XL	186.5	250	312.5	689	993	2189	/	/	24	53	/	/	285	75	1502	3311	6	3.63	0.25

Boat weight includes: SUS950 console, BOL950 seat